

HIGH BAY RETROFITS ULTRA BRIGHT PERFORMANCE



VOLTAGE**	MOGUL BASE	INSTALL METHOD	OPERATING TEMP	OPEN FIXTURE ONLY	SURGE PROTECTION	CRI	RATED LIFE	WARRANTY

designed to perform

available
uplight



LED-8130M

- Available in 90W, 135W and 150W models replacing up to 400W HID.
- Uplight feature available on 8130M model.
- Dynamic temp control supports a longer, brighter life.
- Pretested & potted drivers are burnt in 3x prior to shipping and protected against vibration & moisture.
- Expertly engineered to work efficiently in open fixtures & damp environments, while also protected against insects & dust.
- Dual stage MOV protection with integrated 6kA surge.
- USA designed & specified LED driver.

8130 & 8136 models
also available with occupancy
sensor (-OCC)



PART #	UPC	REPLACES	WATTAGE	LUMENS	CCT (K)*	BASE	DLC PRODUCT CODE
LED-8136M50	844006084097	250W HID	90W	11825	5000K	EX39	PJB19CID
LED-8132M50	844006084059	400W HID	135W	17095	5000K	EX39	PX1B2V52
LED-8130M50	844006083991	400W HID	150W	19375	5000K	EX39	PEIE5UJV
LED-8130M50-OCC	844006023409	400W HID	150W	19375	5000K	EX39	N/A
LED-8136M50-OCC	844006023348	250W HID	90W	11825	5000K	EX39	N/A

* See page 2 for additional color temperatures.

* LED-8136MXX-OCC available July 2019

** See page 2 for 347 volt options for Canada.

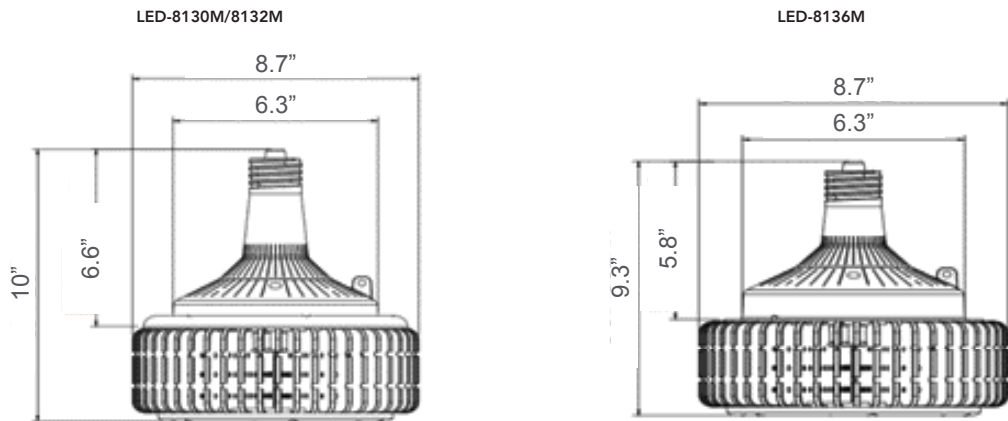


RemPhos

FOR PRODUCT INFO ("LED" MODEL #) CONTACT.....Light Efficient Design • 188 S. Northwest Highway • Cary, IL 60013 • 847.380.3540 • led-llc.com
 FOR PRODUCT INFO ("RP" MODEL #) CONTACT.....RemPhos by Light Efficient Design • 30 Log Bridge Road, Building 200 • Middleton, MA 01949 • 877.997.3674 • remphos.com

05.01.19 Information is subject to change without notice.

HIGH BAY RETROFITS ULTRA BRIGHT PERFORMANCE



ORDERING GUIDE

PART #	UPC	REPLACES	WATTAGE	LUMENS	CCT (K)	BASE	DLC PRODUCT CODE
LED-8136M40	844006084073	250W HID	90W	11825	4000K	EX39	PH6JJUBO
LED-8136M50	844006084097	250W HID	90W	11825	5000K	EX39	PJB19CID
LED-8132M40	844006084042	400W HID	135W	17055	4000K	EX39	PXWFBTUB
LED-8132M50	844006084059	400W HID	135W	17095	5000K	EX39	PX1B2VS2
LED-8130M40	844006083977	400W HID	150W	19285	4000K	EX39	PKVX1A1O
LED-8130M50	844006083991	400W HID	150W	19375	5000K	EX39	PEIE5UJV
LED-8130M40-OCC	844006023379	400W HID	150W	19285	4000K	EX39	N/A
LED-8130M50-OCC	844006023409	400W HID	150W	19375	5000K	EX39	N/A
LED-8136M40-OCC	844006023355	250W HID	90W	11825	4000K	EX39	N/A
LED-8136M50-OCC	844006023348	250W HID	90W	11825	5000K	EX39	N/A

347 VOLT OPTIONS FOR CANADA

PART #	UPC	REPLACES	WATTAGE	LUMENS	CCT (K)	BASE
LED-8136M40C	844006084080	250W HID	90W	12800	4000K	EX39
LED-8136M50C	844006084103	250W HID	90W	13200	5000K	EX39
LED-8132M40C	844006083984	400W HID	135W	18800	4000K	EX39
LED-8132M50C	844006084004	400W HID	135W	19000	5000K	EX39
LED-8130M40C	844006084042	400W HID	150W	21800	4000K	EX39
LED-8130M50C	844006084066	400W HID	150W	22000	5000K	EX39
LED-8130M40C-OCC	844006023416	400W HID	150W	21800	4000K	EX39
LED-8130M50C-OCC	844006023409	400W HID	150W	22000	5000K	EX39
LED-8136M40C-OCC	844006023393	250W HID	90W	12800	4000K	EX39
LED-8136M50C-OCC	844006023386	250W HID	90W	13200	5000K	EX39

OCC SENSOR INFORMATION

- Motion sensing microwave sensor
- Remote Control: over 25ft. range
- At 100% sensitivity, sensor range is 26ft. vertically and 23ft. horizontally
- Default Setting:
 - Horizontal Detecting setting: 50% (14ft.)
 - Power output when activated: 100%
 - Full power output hold time period after activation: 5 min
 - Dimmed output power